

# GeneralAire® Kit de vapeur de chambre

## Manuel d'installation

---

### Lisez et suivez ces instructions

---

**Avant d'installer le Kit de vapeur de chambre lisez et suivez attentivement les instructions décrit dans le manuel et la documentation fournie avec le modèle 5500 d'Humidificateur à vapeur**

#### 1.1 Options du kit de vapeur de chambre

---



GFI #7660 / CGF #RMB35R - **230VAC 1~** pour utilisation avec GeneralAire® 5500, DS25, et DS25LC  
GFI #7665 / CGF #RMB15R - **110VAC 1~** pour utilisation avec GeneralAire® 5500 and DS15P

#### 1.2 Composants inclus dans le kit de vapeur d'ambiance

---

Le kit de vapeur d'ambiance comprend:

- Boîtier (comprend le ventilateur et le distributeur) ;
- Grille (comprend le petit filtre d'admission) ;
- 9' de tuyau de condensation de 3/8" ID ;
- Raccord de tuyau barbé de 3/8" x 3/8" ;
- Petit collier de serrage.

### 1.3 Operation

When a call for humidity is received, the 5500 Steam Humidifier control module will supply power to the steam cylinder and the room steam kit blower, which will run and distribute steam into the room. The room steam kit grill is designed to blow steam outward and slightly down to avoid condensation on the ceiling. A cleanable filter is located behind the air intake grill to protect the motor from large particles. When the demand for humidification ends, power to the steam cylinder is stopped, while the blower continues to run for 30 seconds to distribute any remaining steam.

### 1.4 Choosing a Location

Locate the room steam kit on a wall in the largest room / space to be humidified, allowing humidity to migrate from the largest space to other smaller spaces throughout the home. Do not install the room steam kit in small, confined spaces such as closets, bathrooms, or hallways. The room steam kit must be mounted above the 5500 Steam Humidifier since the room steam kit will create condensate that must drain back to the humidifier by gravity. Remote wall blowers may only be installed in a vertical wall distributing steam horizontally. (See Figure 10.a.)

#### NOTES:

1. The room steam kit must be installed in the wall and connected to the humidifier with the steam hose supplied.
2. The room steam kit must be mounted at least 15 inches above the humidifier to achieve 30 degree minimum slope and avoid condensation / gurgling.
3. Avoid undrained pockets and traps in the hoses. Condensate will accumulate in low areas and prevent steam movement. The steam hose must not have sharp bends or twists.
4. The dimensions in Figure 10.b. are minimum distances to prevent the humidified air from coming in contact with people, electrical equipment, ceilings and cold surfaces before the steam has been completely absorbed.

**! IMPORTANT!** Choose the location with care as the steam is hot and can cause burns.

5. The maximum total length of rubber steam hose is 12 feet (3.7m). The maximum total length of insulated copper tubing may be up to 20 feet (6m). The maximum combined allowed length of steam hose and insulated copper tubing is 32 feet (9.75m). In all cases, minimize sharp bends and elbows. Use 2 - 45° elbows instead of 90° elbows. Hose inner diameter 7/8" (22 mm); outer diameter 1 1/4" (30 mm). Additional steam hose is available: GFI #7513 / CGF #GF-20-2.

### 1.4 Wall Opening

The room steam kit housing will fit in a standard 2x6 wall with 1/2" drywall. If installing in a 2x4 wall then the rear drywall must also be removed and the housing will protrude out the back of the wall. Figure 10.c shows the wall opening dimensions for the room steam kit housing.

Figure 10.a.

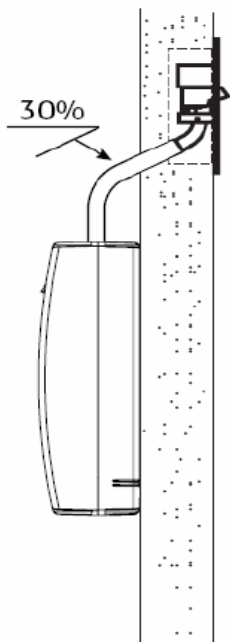


Figure 10.b.

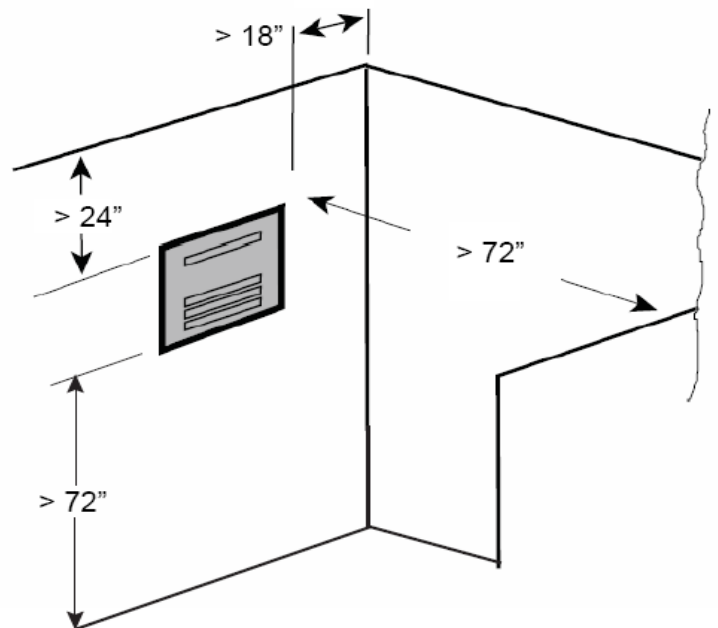
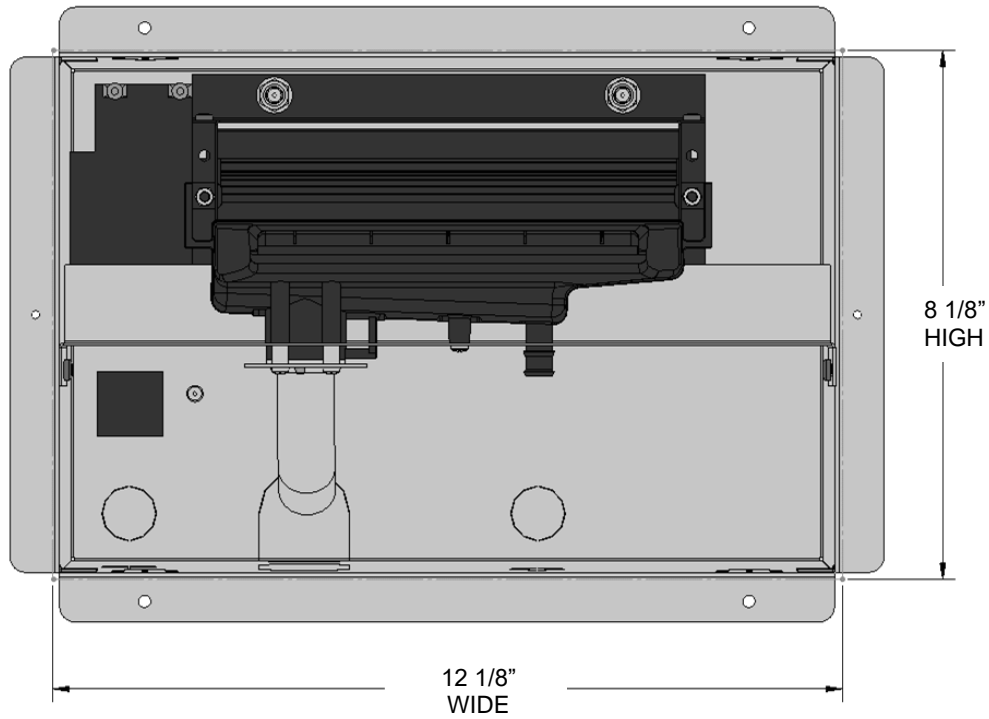


Figure 10.c.



**NOTES:**

1. The room steam kit housing has flanges on the front that must be mounted on the outside face of the drywall.
2. When installing in new construction, use a piece of return air angle to mark where the room steam kit will go to prevent the drywall from being installed over the location for the room steam kit housing.

**1.5 Housing Knockouts**

Determine if the steam will be entering the housing from the back or bottom. Remove the knockouts for the steam hose, condensate hose, and electrical connections. (See Figure 10.d.).

(Front View; Without Gril)

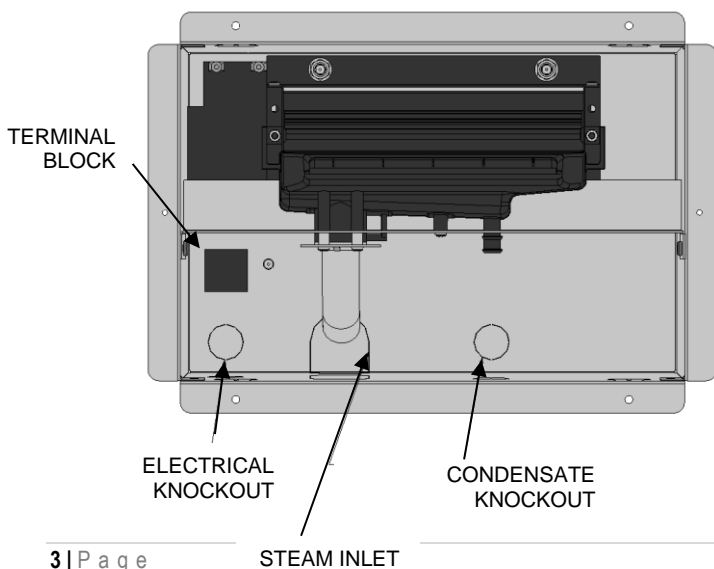
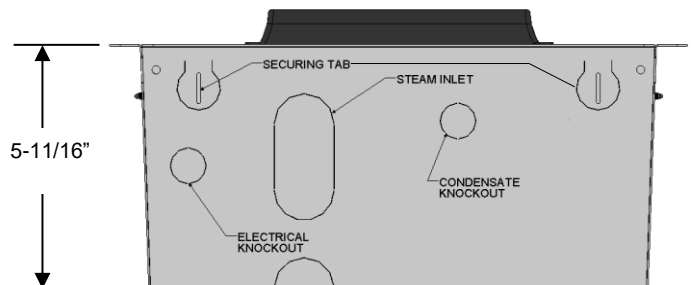


Figure 10.d.

(Bottom View)



## 1.6 Installation

Insert the room steam kit housing into the wall and bend the four securing tabs around the back of the drywall. Level the room steam kit, then secure to the wall using predrilled holes located on the four one-inch flanges. Use #8 drywall screws (four required) to penetrate the drywall and pass through the slot in the securing tab behind the drywall (See Figure 10.e and 10.f). An alternate installation method is to frame out the opening of the RMB to the dimensions shown in Figure 10.c.

### **IMPORTANT!**


 The four one-inch flanges on the face of the RMB unit must be on the outside of the drywall. Failure to locate the flanges on the outside face of the drywall may result in water leakage and household damage.

Figure 10.e.

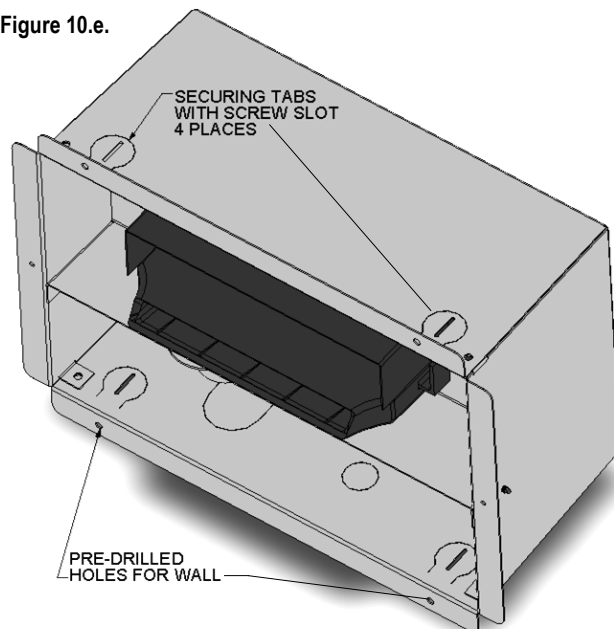
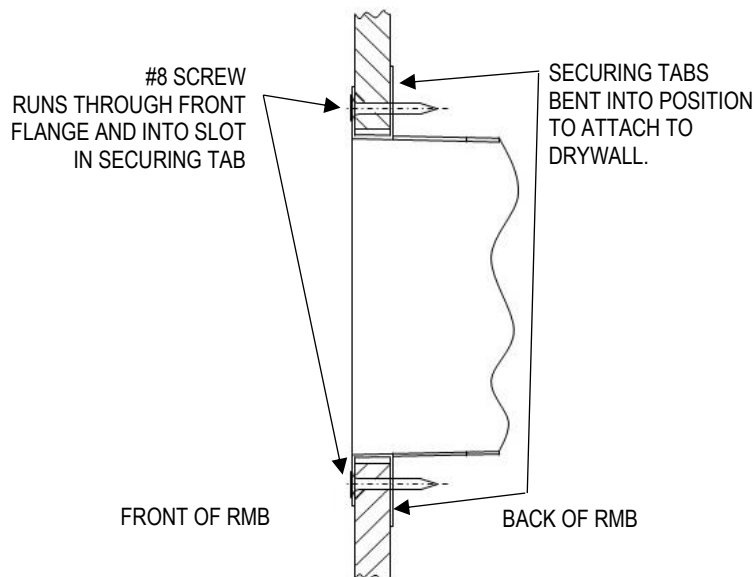


Figure 10.f.  
Section through RMB flange and securing tab



**1.7 Electrical Connections**

The room steam kit fan is fitted with a power supply terminal block (Figure 10.g.) with two terminals and a ground wire connector on the housing. The power wire should be 16 gauge or larger shielded cable with ground. Power wiring should be run through the electrical knockout in the RMB and be secured with the supplied cable clamp.

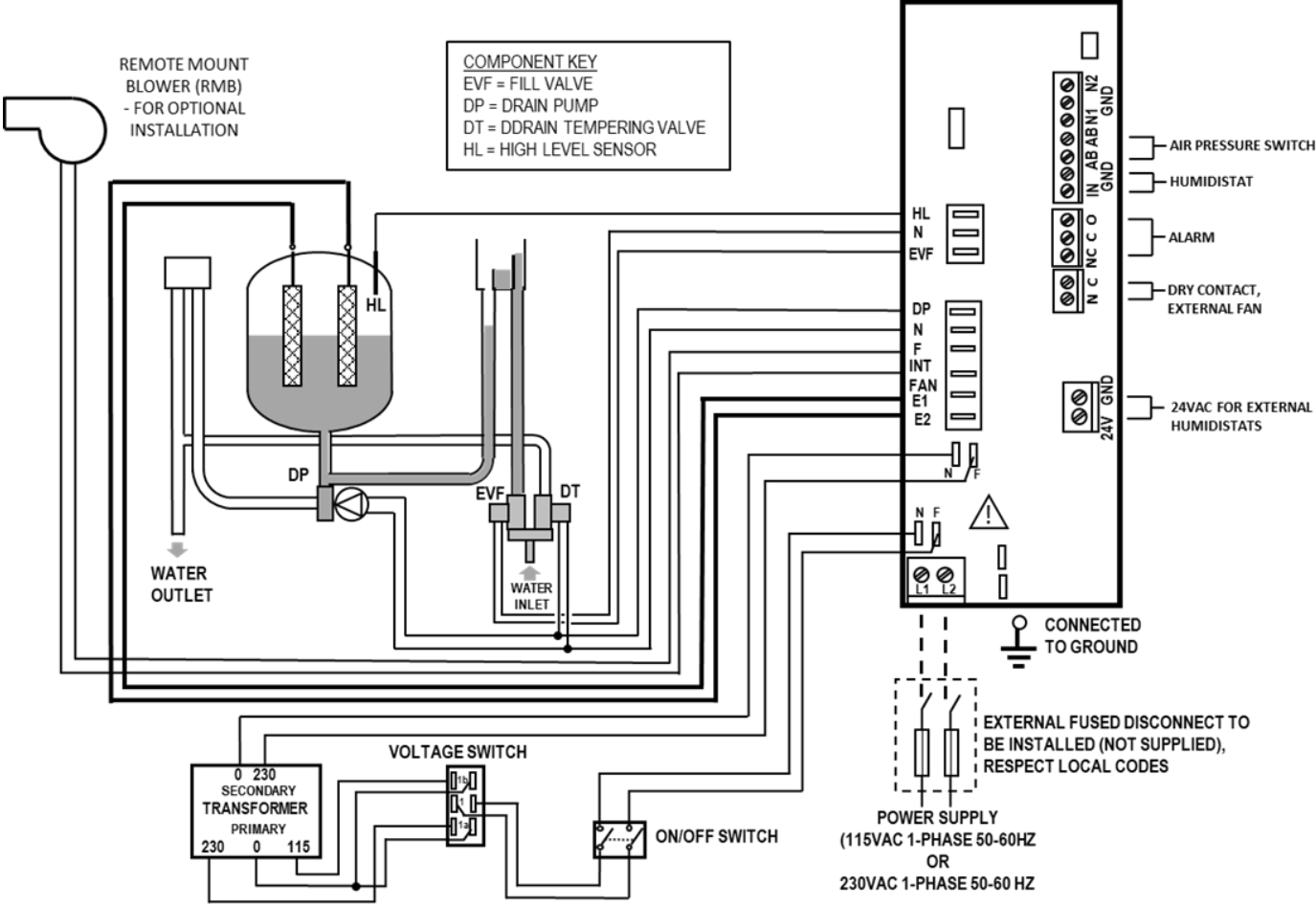
The power will be supplied from the terminals “F” and “INT FAN” located on the back side of the humidifier control module.

The power wire must enter the humidifier through the bottom or back and then be secured inside the humidifier to prevent tension on the wire or connections. To access the wire connection points on the back of the module, remove the steam cylinder. Remove the protective caps on the connection points and use the two supplied spade connectors to make the connections to the F and INT FAN terminals.

**IMPORTANT!**

- ⚠ 1. The power for the RMB unit is from the terminals on the **BACK** of the Control Module!
- 2. Electrical connections must be performed by qualified personnel in compliance with local codes.

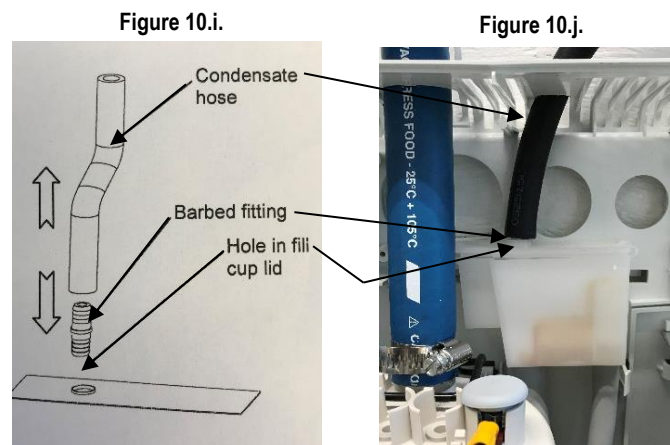
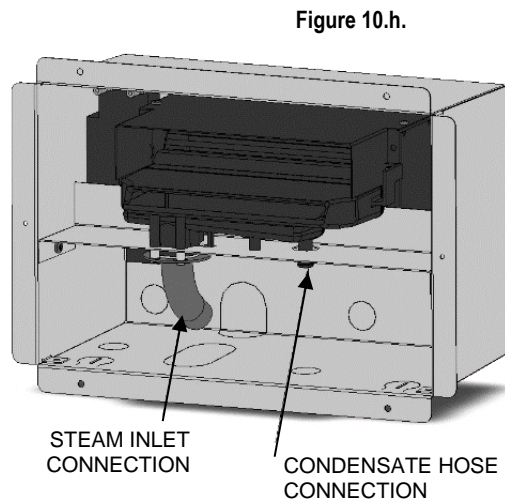
Figure 10.g.



## 1.8 Hose Routing and Connections

Connect the steam hose to the stainless elbow fitting located at the bottom of the manifold and secure with the hose clamp provided. Do not force the steam hose onto the stainless fitting - apply some water to the inside of the hose and ease the hose onto the fitting. Connect the condensate hose to the molded barbed fitting on the right (See Figure 10.h). The condensate hose needs to be trapped immediately under the blower housing or directly above the steam humidifier using a 6" loop in the condensate hose. See the 5500 Steam Humidifier Installation Manual; section 3.4.4.

The 3/8" x 3/8" barbed hose fitting enables the condensate hose to connect to the fill cup. Insert one end of the fitting into the condensate hose (Figure 10.i.), route the hose into the unit through the hole in the enclosure, and then insert the other end of the fitting into the hole on the top of the fill cup (Figure 10.j.).



**IMPORTANT!** The standard steam unit comes with 6 feet (1.8m) of steam hose. The RMB unit comes with 9 feet (2.7m) of 3/8" ID hose. The maximum total length of rubber steam hose is 12 feet (3.7m). The maximum total length of insulated copper tubing may be up to 20 feet (6.1m). The maximum combined allowed length of steam hose and insulated copper tubing is 32 feet (9.75m). In all cases, minimize sharp bends and elbows. Use 2 - 45° elbows instead of 90° elbows. Hose inner diameter 7/8" (22 mm); outer diameter 1 1/4" (30 mm). Additional steam hose is available GFI #7513 / CGF #GF-20-2.

## 1.9 RMB Grille Installation

Attach the air filter to the grill. Install the grill over the housing face and use the provided screws and pre-drilled holes to secure the grill to the RMB housing. The steam manifold will extend out past the face of the grill. The grill may be painted to match decorations in the home.

**IMPORTANT!** Use only the grill that was provided with the room steam kit. Any alterations or changes to the grill may result in water leakage and damage to the home.

## 1.10 RMB Grille Maintenance

The air filter should be vacuumed or rinsed with water at least once per year. More frequent cleaning may be necessary depending on home conditions. Neglecting the air filter (cleaning and/or replacement) will seriously affect the operation of the room steam unit.

**NOTE:** For new construction, the air filter must be cleaned as needed during construction and again when construction is complete.

## 1.11 RMB Grille Start-up

The RMB blower will operate when the humidifier has a demand for humidity. Operation will continue for 30 seconds after the demand is complete.

### 1.12 Technical Specifications

| Description   | Value or range |
|---|----------------|
| Steam output (lb/hr)  | 0-12           |
| Storage temperature (°C)  | -10 to 70      |
| Rated power (W)   | 24             |
| Rated air flow-rate (cfm)   | 71             |
| Noise level (open field, at maximum speed, one metre from the front panel) (dB) | 30             |

### 10.13 Table of Spare Parts

| GFI # | Part Number | Description   |
|-------|-------------|---|
| 7545  | RMB15       | Room Steam Kit (115V)                                   |
| 7540  | RMB35       | Room Steam Kit (230V)                                   |
| 7534  | 15-02       | Room Blower Assembly 115V for RMB15                     |
| 7535  | 35-02       | Room Blower Assembly 230V for RMB35                     |
| 7513  | 20-2        | Steam Hose 7/8" ID                                      |
| 7512  | 20-3        | Condensate Hose 3/8" ID                                 |
| 7559  | 35-10       | Hardware Kit (for RMB15/RMB35)                          |
| 7536  | 35-20       | Internal Steam Distributor Manifold                     |
| 7528  | 35-26       | Front Grill (for RMB15/RMB35 - includes filter, labels) |
| 7647  | P-241       | Steam Hose Clamp #16                                    |
| 7648  | P-242       | Condensate Hose Clamp #6                                |



GENERAL FILTERS, INC  
 43800 GRAND RIVER AVENUE  
 NOVI, MI. 48375  
 (866) 476-5101  
[www.generalfilters.com](http://www.generalfilters.com)



CANADIAN GENERAL FILTERS, LLC.  
 400 MIDWEST ROAD  
 (888) 216-9184  
 TORONTO, ON M1P3A9  
[www.cgfproducts.com](http://www.cgfproducts.com)



## About General Filters

Founded in 1937, General Filters, Inc. is a leading manufacturer of premium residential whole-house, humidifiers, dehumidifiers, air cleaners, UV air purifiers, heat / energy ventilators, and fuel oil filters; a complete line of dependable, high quality IAQ and heating solutions for today's energy-efficient homes. GeneralAire® indoor air quality products allow you to *Breathe Healthier* in the comfort of your own home. Located in Novi, MI General Filters products (under the IAQ brand names GeneralAire® and Second Wind™; and oil brand names General, Unifilter®, and Gar-Ber) are made in the USA!

We spend up to 90% of our time indoors, while experts say indoor air can be more polluted than outdoor air.

## How Can Indoor Air Quality Products Help?

### Air Cleaners

Quality air cleaners are very effective in removing airborne particulates; particulates that can trigger allergy and asthma symptoms and cause long-term adverse health effects. Air cleaner filters are MERV rated (Minimum Efficiency Reporting Value) with ratings from 1 to 16. The higher the MERV rating, the more effective the filter is at removing smaller and more harmful particulates from the air.

### Humidifiers

Dry air can have adverse effects not only on your health but your home and its contents. Dry air causes cracks in wood floors, furniture, trim and musical instruments. Dry air can cause static electricity that can damage expensive electronics. Dry sinuses can leave you susceptible to colds and flu. Allergy and asthma triggers may increase. Dry air can increase heating bills by causing gaps in doors and windows that allow cold air inside. Humidifiers add moisture levels in your home so that you and your family feel better, while also protecting your home and contents.

### Dehumidifiers

Like air that is too dry, air that's too moist can also be detrimental. Too much moisture can increase incidents of mold, mildew and bacteria, also increasing allergy and asthma triggers. Your clothing and bedding may feel moist and uncomfortable. Breathing may become more difficult. High humidity attracts pests drawn to moisture. Whether you live in a humid climate or it's simply that time of year, a dehumidifier reduces excess moisture for greater comfort and healthier indoor air quality.

### UV Air Purifiers

Bring the sun's purification benefits indoors with the installation of a UV Air Purifier. Ultra violet light disables and destroys viruses and airborne pathogens, while eliminating molds and spores from forming within the home's HVAC system.

### Energy and Heat Recovery Ventilators (ERV and HRV)

All homes need ventilation. Ventilation systems bring fresh air into your home while also exhausting stale air year around, even when windows and doors are closed. Most people don't keep windows and doors open all the time due to noise, weather, and safety concerns. In addition, today's homes are built tighter for energy efficiency. The exchange of fresh air offered by an ERV or HRV provides air that keeps occupants healthy, removes odors, reduces moisture, removes indoor pollutants and lowers the relative indoor humidity.